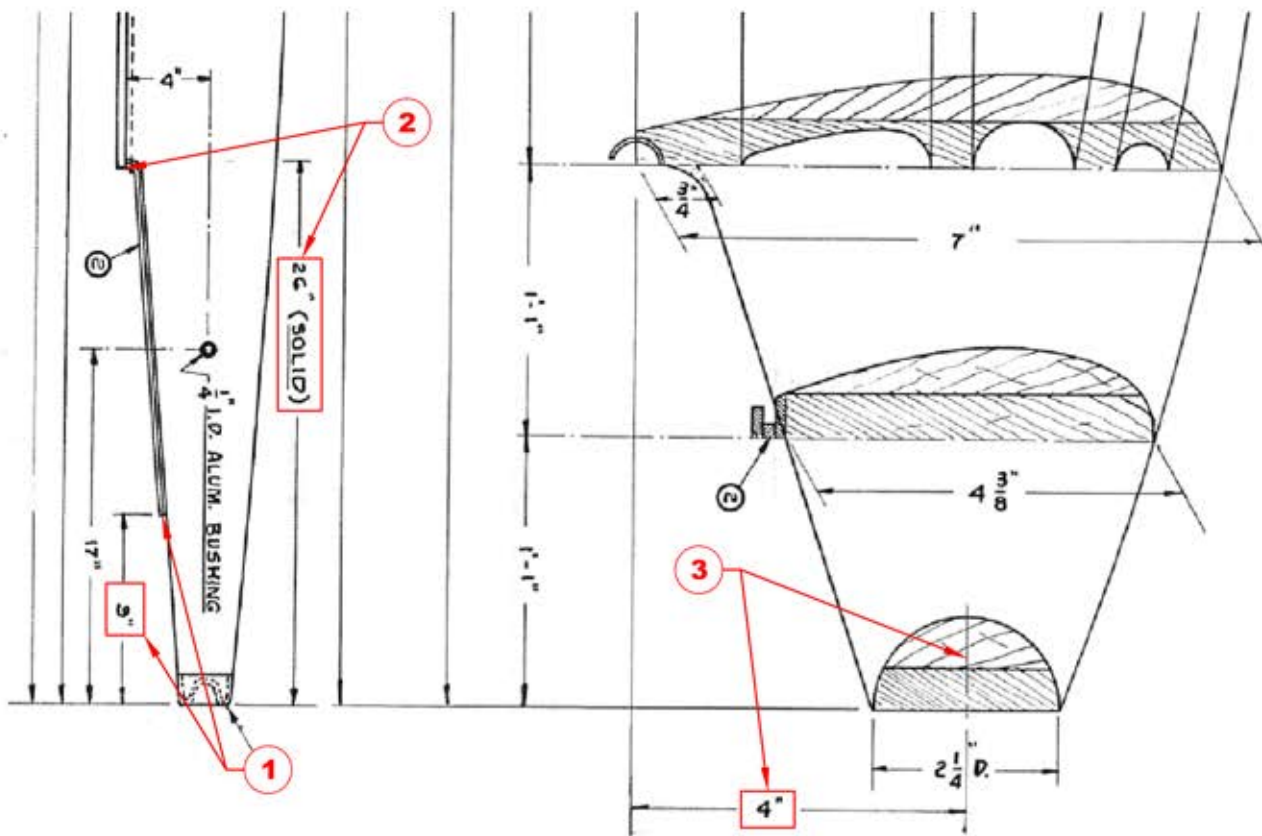


# INTERNATIONAL RENEGADE ICE YACHT RACING ASSOCIATION



July 16, 2020

THE RENEGADE TECHNICAL COMMITTEE WAS ASKED THE FOLLOWING 3 QUESTIONS BY DOUG KOLNER. THE COMMITTEE'S ANSWER FOLLOWS EACH QUESTION.

- ① WHEN CONSTRUCTING A MAST, CAN THE GOOSENECK TRACK EXTEND CLOSER TO THE BASE OF THE MAST THAN THE 9 INCHES SHOWN ON THE PLANS?

TECH COMMITTEE ANSWER: NO

- ② WHEN CONSTRUCTING A MAST, CAN THE BOTTOM OF THE LUFF TUBE EXTEND CLOSER TO THE BASE OF THE MAST THAN THE 26 INCHES SHOWN ON THE PLANS?

TECH COMMITTEE ANSWER: NO

- ③ WHEN CONSTRUCTING A MAST, CAN THE BASE BE FORWARD OR AFT OF THE MAST CENTERLINE AS SHOWN ON THE PLANS?

TECH COMMITTEE ANSWER: NO

IRIYRA Technical Committee Members:

Jim Lafortune, Tim McCormick, Jim Nordhaus